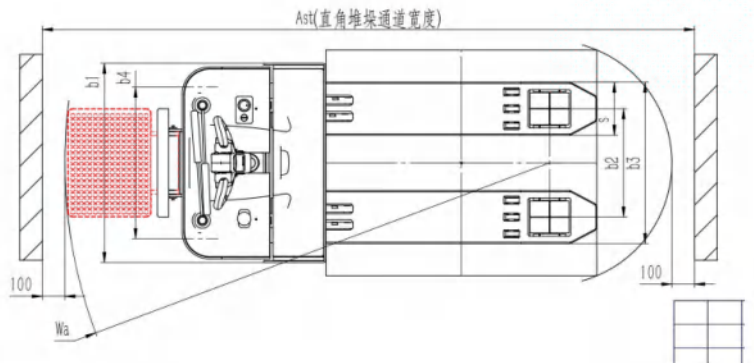
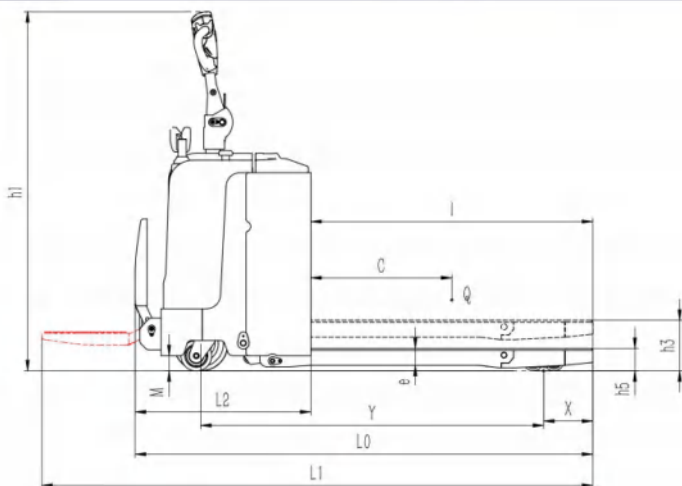


产品参数 Product parameter

产品型号	Models	单位	CBD50	CBD60
驱动形式	Type of power		电动	
驾驶方式	Driving		步驾 (踏板式)	
额定载荷	Rated load	Q(kg)	5000	6000
载荷中心	Load Center	C(mm)	600	600
前端距	Front end distance	X(mm)	210	210
轴距	Wheelbase	Y(mm)	1460	1460
自重 (不含电池)	Vehicle weight (including batteries)	kg	945	945
桥荷 满载 (承重侧/驱动侧)	Bridge load, full load (front/back)	kg	3905/2040	4583/2407
桥荷 空载 (承重侧/驱动侧)	Bridge load, no load (front/back)	kg	230/715	230/715
轮胎	Tires		聚氨酯轮	
驱动轮尺寸	Dimensions of drive wheels	mm	φ230x75	φ230x75
承载轮尺寸	Dimensions of bearing wheels	mm	φ85*70	φ85*70
平衡轮尺寸	Dimensions of balance wheel	mm	φ130x55	φ130x55
轮子数量 (前/后) (x=驱动轮)	Number of wheels (front/back)(x = drive wheels)	mm	8/4-1x	8/4-1x
前轮距	Front wheel pitch	b2(mm)	480	480
后轮距	Rear wheel base	b4(mm)	654	654
起升高度	Elevation	h3(mm)	215	215
货叉离地高度 (最低时)	Height of fork off the ground (minimum)	h5(mm)	95	95
操作手柄离地高度 (最大/最小)	Ground height of operation handle (max/min)	h1 (mm)	1530/1140	1530/1140
总长 (踏板收起)	Total length (pedals retracted)	L0(mm)	1947	1947
总长 (踏板放下)	Total length (pedals down)	L1(mm)	2344	2344
货叉前端面至后部距离	Distance from front end to front of fork	L2(mm)	747	747
总宽	Vehicle width	b1(mm)	882	882
货叉尺寸	Fork size	s/e/(mm)	235/72 (82) /1200	255/72 (82) /1200
货叉外宽	Outside width of forks	b3(mm)	715	715
后尾板离地高度	Height of rear tail plate from ground	m(mm)	64	64
直角堆垛通道宽度, 托盘 1000X1200(1200 竖置)(踏板收起/放下)	Right-angle stacking channel width, tray 1000X1200(1200 transverse)(pedals up/down)	Ast(mm)	2495/2890	2495/2890
转弯半径 (踏板收起/放下)	Right-angle stacking channel width, tray 800X1200(1200 vertical)(pedals up/down)	Wa(mm)	1755/2150	1755/2150
行驶速度 满载/空载	Turn radius (pedals up/down)	km/h	4.0/5.0	4.0/5.0
提升速度 满载/空载	Speed, full/empty	mm/s	25/30	25/30
下降速度 满载/空载	Lifting speed, full/no load	mm/s	29/16	29/16
最大爬坡能力 满载/空载	Rate of descent, full/no load	%	3.5/8	3/8
制动方式	Maximum climbing capacity, full/no load		电磁制动	
驱动电机功率	Braking mode	kw	2.5	2.5
提升电机功率	Drive Motor Power	kw	2.2	2.2
蓄电池电压/容量	Lifting motor power	V/Ah	24/280(蓄电池)	24/280(蓄电池)
蓄电池重量	Battery, voltage/rated capacity	kg	245	245
控制方式	Weight of battery		Mosfet control	
整车噪音	Control mode	dB(A)	≤70	≤70



本公司保留更改产品设计和规格的权利、参数若有改变、恕不另行通知

Our company reserves the right to change product design and specifications without prior notice.